

ELECTRIC SCISSOR LIFTS

OPTIMUM 1530E/1930E



Optimum 1930E

- 30 in width.
- 595 lb platform capacity (Optimum 1530E).
- Go through a standard door.
- Pot Hole protection.



OPTIMUM 1530E/1930E

The Haulotte® advantages

- **Compact:** stowed height for easy travel through standard doorways
- 6 ft 2 in long and 30 in wide allow operation in the most congested areas
- **Outside turning radius 5 ft 6 in** ensures excellent manoeuvrability
- **3 in ground clearance** allows for both inside and outside use
- **Pot Hole protection** ensures maximum safety
- **High battery capacity**
- **Robust, reliable and easy to maintain**

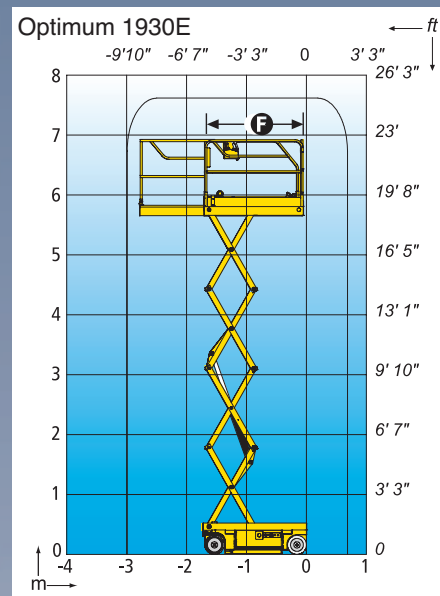
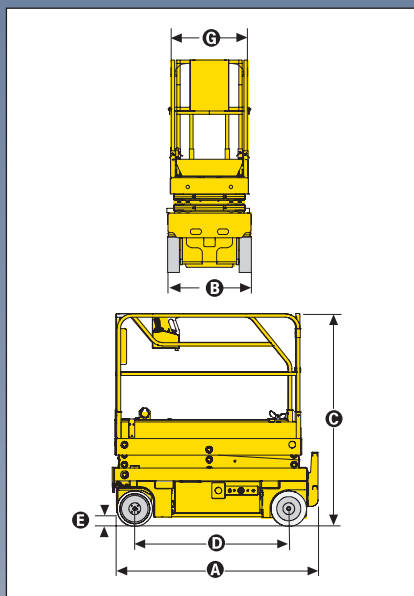
STANDARD FEATURES

- Non marking tires
- 3 ft platform extension
- Tilt alarm
- 2 drive speed
- 2 wheel drive and steer
- Free wheeling device
- 24 V - 4 x 6 V - 180 Ah batteries
- 30 Amp battery charger
- Battery charge indicator
- Hour meter
- Towing hooks / lifting eyes
- Emergency lowering system
- 110 V outlet
- Forklift pockets

OPTIONS & ACCESSORIES

- Travel alarm
- Flashing light
- Work light
- Overload device
- Inverter

Electric scissor lifts



SPECIFICATIONS

	OPTIMUM 1530E	OPTIMUM 1930E
Working height	20 ft 9 in	25 ft
Platform height	14 ft 9 in	19ft
Platform capacity	595 lb	507 lb
A Stowed length	6 ft 2 in	
B Width	30 in	
C Stowed height (guardrails)	6 ft 3 in	6 ft 6 in
Stowed height (platform)	2 ft 7 in	2 ft 10 in
D Wheelbase	4 ft 6 in	
E Ground clearance	3 in	
with deployed Pot Hole	0.5 in	
F x C Platform size	5 ft 8 in x 2 ft 3 in	
Platform extension	3 ft	
Extension capacity	254 lb	
Drive speed	0.4 - 2.8 mph	
Outside turning radius	5 ft 11 in	
Lift / lower (sec.)	20 / 35	23 / 32
Gradeability	25 %	
Controls	Proportional	Proportional
Batteries	24 V / 180 Ah	
Tires (solid / non marking)	12.5 x 4.25 x 1 in	
Hydraulic tank	5.3 gal	
Weight	2,944 lb	3,131 lb

ANSI/SIA A92.6 and CSA/B354-2 Standards Compliance



Haulotte 
GROUP

HAULOTTE US INC • 7135 Standard drive - Hanover - MD21076 - USA
Tel : +1 410 7124403 • Fax : +1 410 7124419 • Toll free : +1 877-HAULOTTE • e-mail: sales@us.haulotte.com

Haulotte Group - La Péronnière - BP 9 - 42152 l'Horme - France • Tél : +33 (0)4 77 29 24 24 - Fax : +33 (0)4 77 29 43 95
e.mail - haulotte@haulotte.com • web : http://www.haulotte.com