

ARTICULATING BOOM

HA 130 JRT



- Max. 65 ft horizontal outreach
- 58 ft 3 in up and over clearance
- Standard 4 wheel drive and steer
- Extendable and oscillating axles
- Continuous outreach control



HA 130 JRT

Articulating boom

The Haulotte® advantages

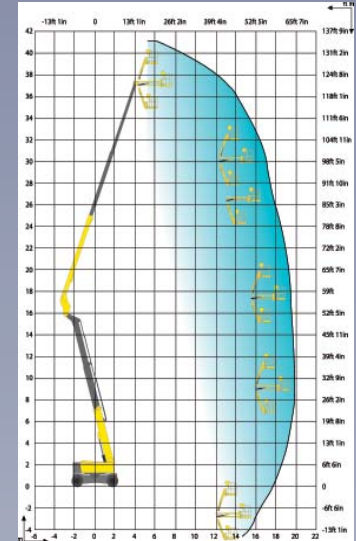
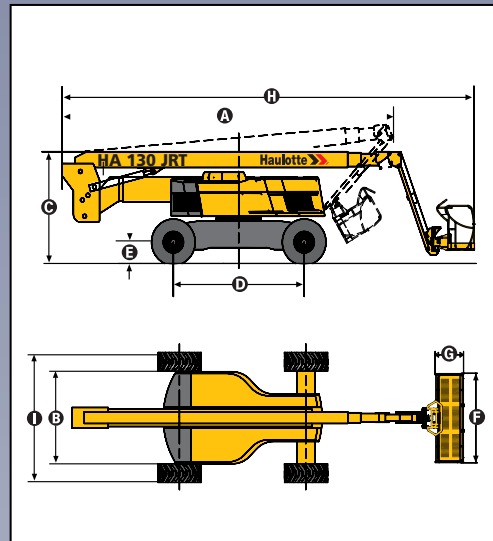
- 65 ft maximum outreach with articulated jib pivot at 58 ft 3in
- Gradeability up to 40%
- Hydraulic differential lock and 15 in ground clearance for improved rough terrain capability
- Continuous 360° turntable rotation
- Fully proportional controls and simultaneous boom functions for improved functionality
- Load limiter in platform
- Improved working area via a positive/negative movement articulated fly jib having 130° vertical jib motion for improved working area
- 180° platform rotator
- Robust, reliable and easy to maintain design

STANDARD FEATURES

- 4 wheel drive and steer
- 2 extendable axles
- Oscillating axle
- 4° tilt alarm
- 12 V battery / electrical control system
- Electric emergency group in cage
- Free wheeling device
- Hourmeter
- Slewing block pin
- Towing hooks
- Safe use in winds up to 28,9mph
- Differential lock

OPTIONS & ACCESSORIES

- On-board 3.3 kw generator
- 230 V /115 V - 16 A power line from chassis to platform
- Biodegradable hydraulic oil
- Travel alarm
- Rotating beacon
- Working light
- Encoded starting device
- Compressed air hose Ø 13



SPECIFICATIONS

	HA 130 JRT
Working Height	135ft 7 in
Platform Height	129ft 7in
Maximum outreach	65ft 0 in
Up and over clearance	58ft 3in
Platform capacity	507 lb
Fly jib arc of movement	130° (+65° / -65°)
A - Travel length	41ft 4in
B - Width	8ft 4in
Width (with axles extended)	10ft 10in
C - Stowed height	9ft 10in
D - Wheelbase	11ft 6in
E - Ground clearance	15 in
F x G - Platform size	96 x 31 in
H - Stowed length	40ft 4in
Tailswing	12ft 9in
Drive speed	0,3 - 3,1 mph
Outside turning radius	16ft 9in
Turntable rotation	360°
Hydraulic platform rotation	180°
Engine	Perkins diesel 62 kW - 84 hp
Gradeability	40%
Tires (foam filled)	445 /65 - 225
Hydraulic tank	63 gal
Fuel tank	37 gal
Weight	50 936 lb

ANSI/SIA A92.5 and CSA/B354-4 Standards Compliance



HAULOTTE US INC.

7135 STANDARD DRIVE HANOVER MD 21076 - USA
 TEL: +1 410 712 4403 FAX: +1 410 712 4419
 TOLL FREE: 877-HAULOTTE - SUPPORT TOLL FREE: 877-HAULOT-5

Web : www.haulotte-usa.com
 E mail : sales@us.haulotte.com

HAULOTTE US INC.

1925 SHILOH ROAD BUILDING 3, SUITE 400
 KENNESAW, GA 30144
 TEL: +1-770-975-1111
 TOLL FREE: +1-877-795-8111-886-795-8111

2420328900 - Ed.12/2006 - Products specifications are subject to change without notice - non contractual document.